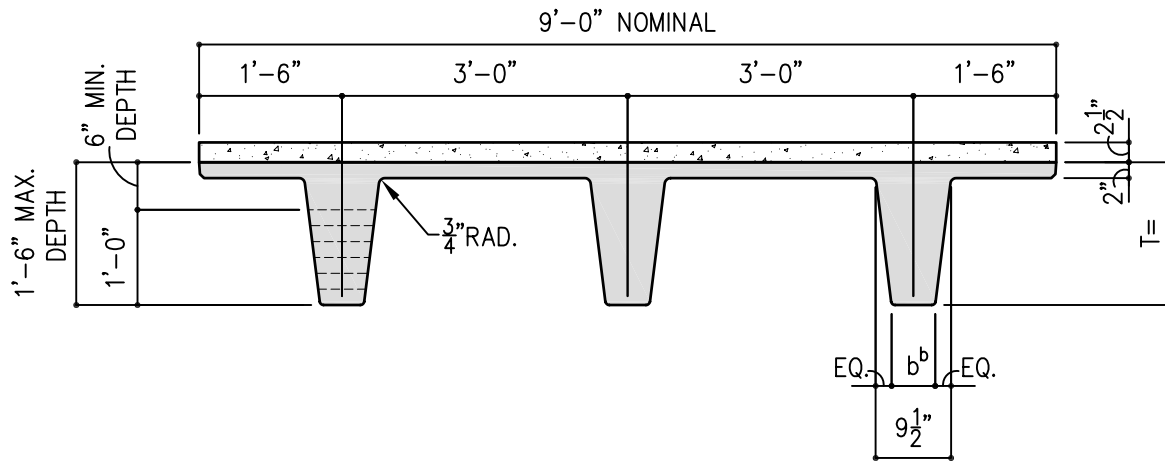




# 9 FT. TRIPLE TEE 9TT

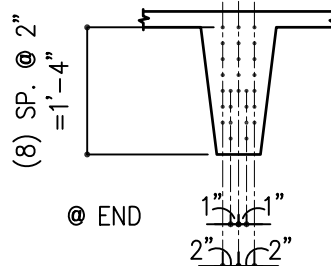


## SECTION PROPERTIES:

		A in <sup>2</sup>	I in <sup>4</sup>	Y <sub>t</sub> in	Y <sub>b</sub> in	S <sub>t</sub> in	S <sub>b</sub> in <sup>3</sup>	WT plf	WT psf	T in	b <sub>b</sub> in
STANDARD UNIT	9TT6	324.0	847.95	1.99	4.01	426.61	211.34	349	39	6	8 1/2"
	9TT8	373.5	1938.90	2.65	5.35	731.50	362.45	402	45	8	8"
	9TT10	420.0	3615.85	3.35	6.65	1078.59	543.93	452	50	10	7 1/2"
	9TT12	463.5	5928.79	4.07	7.93	1457.05	747.55	499	55	12	7"
	9TT14	504.0	8904.86	4.79	9.21	1860.72	966.42	542	60	14	6 1/2"
	9TT16	541.5	12549.34	5.49	10.51	2284.96	1194.28	583	65	16	6"
	9TT18	576.0	16845.22	6.18	11.82	2725.52	1425.21	620	69	18	5 1/2"
COMPOSITE UNIT	9TT6	594.0	2337.96	0.68	5.32	3454.94	439.19	640	71	6	8 1/2"
	9TT8	643.5	4162.93	1.20	6.80	3460.91	612.45	693	77	8	8"
	9TT10	690.0	6792.95	1.77	8.23	3841.79	825.21	743	82	10	7 1/2"
	9TT12	733.5	10270.37	2.35	9.65	4361.85	1064.79	790	88	12	7"
	9TT14	774.0	14606.89	2.95	11.05	4953.13	1321.77	833	92	14	6 1/2"
	9TT16	811.5	19785.88	3.54	12.46	5586.92	1588.14	874	97	16	6"
	9TT18	846.0	25762.88	4.12	13.88	6247.34	1856.63	911	101	18	5 1/2"

## NOTES:

1. STRAND LOCATIONS: SECTION TYPICALLY USES A STRAIGHT STRAND PROFILE. DEBONDING OF STRAND WILL COMMONLY BE REQUIRED TO REDUCE STRESSES.
2. STEM FILLERS FOR TT6 THROUGH TT16 HAVE 1/2" CHAMFER AT BOTTOM OF STEMS.



ISSUED:

REVISED:

# HAWAII TRIPLE TEE

SHEET:

# 9TT