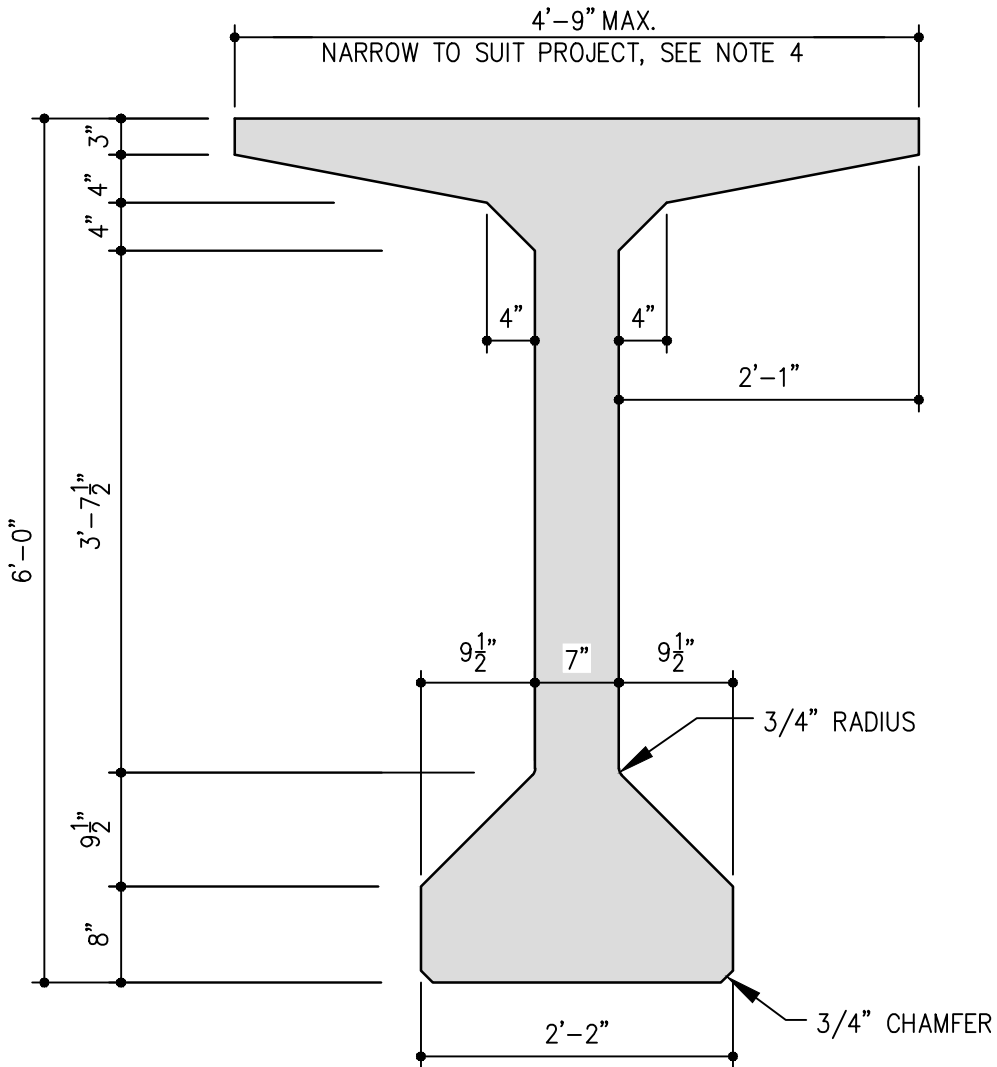




# KEEHI VI - WIDE FLANGE



## NOTES:

1. PRESTRESS AND REINFORCING REQUIREMENTS ARE GENERALLY PROVIDED BY E.O.R. FINAL STRAND LOCATIONS, DEPRESS GEOMETRY ETC. SHOULD BE COORDINATED IN SHOP DRAWING PHASE.
2. REF COMMENTARY FOR RECOMMENDED CONCRETE STRENGTHS.
3. CENTROID OF BOTTOM STRAND IS GOVERNED BY COVER, REINFORCING, AND TOLERANCE REQUIREMENTS.  $2\frac{1}{2}$ " IS THE RECOMMENDED MINIMUM.
4. FLANGE WIDTH CAN VARY TO SUIT PROJECT REQUIREMENTS FLANGE EDGE THICKNESS WILL RANGE FROM 5" MAX. TO 3" MIN. FOR WIDEST SECTION.

## SECTION PROPERTIES:

	A in <sup>2</sup>	I in <sup>4</sup>	Yt in	Yb in	W K/FT.	St in <sup>3</sup>	Sb in <sup>3</sup>
VI W	1028.3	731754	33.90	38.10	1.07	21589	19204

ISSUED:

REVISED:

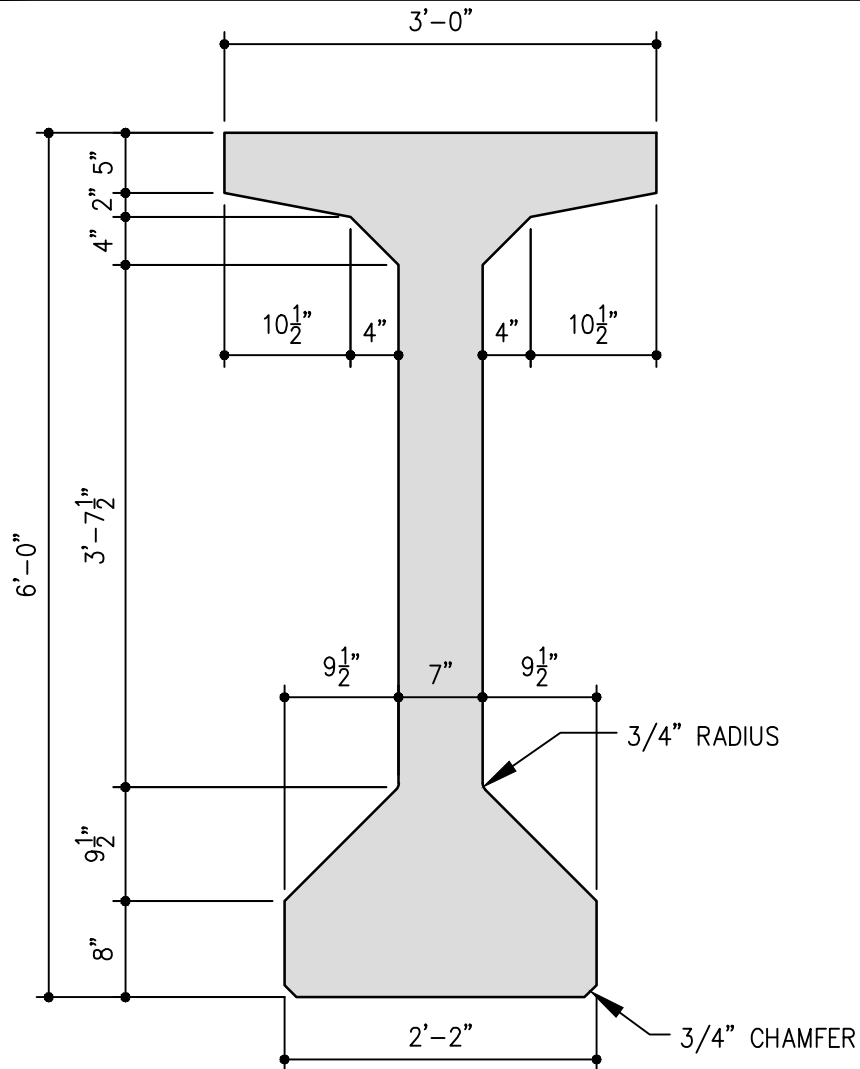
## KEEHI GIRDERS

SHEET:

## K-VI W



# KEEHI VI



## NOTES:

1. PRESTRESS AND REINFORCING REQUIREMENTS ARE GENERALLY PROVIDED BY E.O.R. FINAL STRAND LOCATIONS, DEPRESS GEOMETRY ETC. SHOULD BE COORDINATED IN SHOP DRAWING PHASE.
2. REF COMMENTARY FOR RECOMMENDED CONCRETE STRENGTHS.
3. CENTROID OF BOTTOM STRAND IS GOVERNED BY COVER, REINFORCING, AND TOLERANCE REQUIREMENTS. 2 1/2" IS THE RECOMMENDED MINIMUM.

## SECTION PROPERTIES:

	A in <sup>2</sup>	I in <sup>4</sup>	Y <sub>t</sub> in	Y <sub>b</sub> in	W K/FT.	St in <sup>3</sup>	S <sub>b</sub> in <sup>3</sup>
STANDARD UNIT	944	638,894	36.73	35.27	0.98	17,394	18,114

ISSUED:

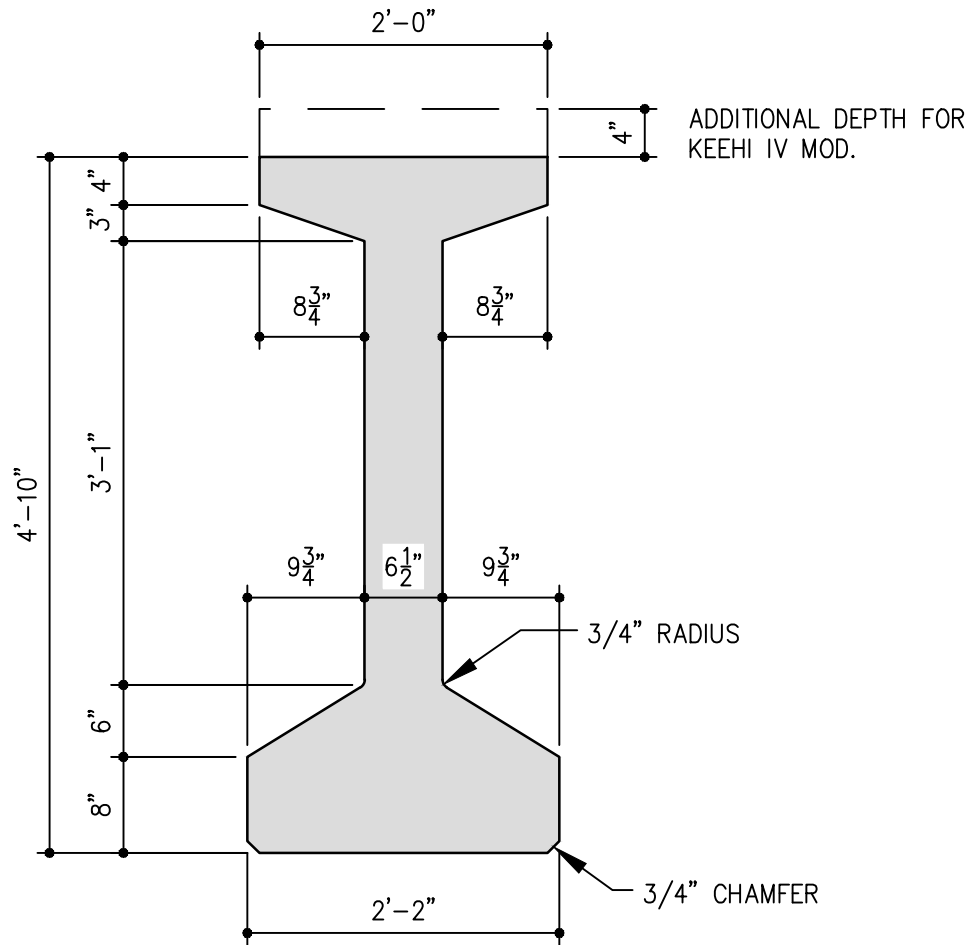
REVISED:

# KEEHI GIRDERS

SHEET:

# K-VI





## NOTES:

1. PRESTRESS AND REINFORCING REQUIREMENTS ARE GENERALLY PROVIDED BY E.O.R. FINAL STRAND LOCATIONS, DEPRESS GEOMETRY ETC. SHOULD BE COORDINATED IN SHOP DRAWING PHASE.
2. REF COMMENTARY FOR RECOMMENDED CONCRETE STRENGTHS.
3. CENTROID OF BOTTOM STRAND IS GOVERNED BY COVER, REINFORCING, AND TOLERANCE REQUIREMENTS. 2 1/2" IS THE RECOMMENDED MINIMUM.

## SECTION PROPERTIES:

	A in <sup>2</sup>	I in <sup>4</sup>	Yt in	Yb in	W K/FT.	St in <sup>3</sup>	Sb in <sup>3</sup>
IV	687.75	282,484	32.62	25.38	.716	8,660	11,130
IV MOD	783.8	383,594	32.38	29.62	.816	11,846	12,951

ISSUED:

REVISED:

# KEEHI GIRDERS

SHEET:

# K-IV