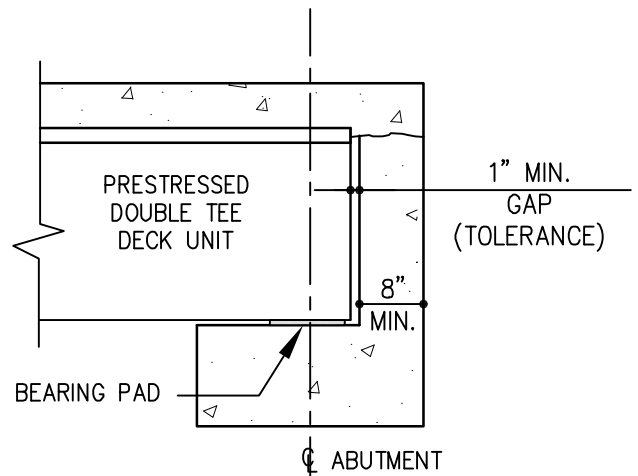


INFILTRATOR CHANNEL/SECTION

NOTES:

1. Drainage channels or open infiltrators can be economically spanned using Double Tee sections. These are usually designed for HS-20 loads, or applicable landscaping.
2. Spans of up to 50ft can be achieved with these sections for HS-20 loads.
3. The sections can span directly to the channel wall for new construction. Spanning existing channels requires new abutment supports.
4. Advantages include no failures due to repetitive and heavy loads in traffic areas, sediment free drainage, and reduced area for catchment of runoff.



ABUTMENT DETAIL

ISSUED:

STORMWATER INFILTRATOR DRAINAGE CHANNEL

SHEET:

M2

REVISED: